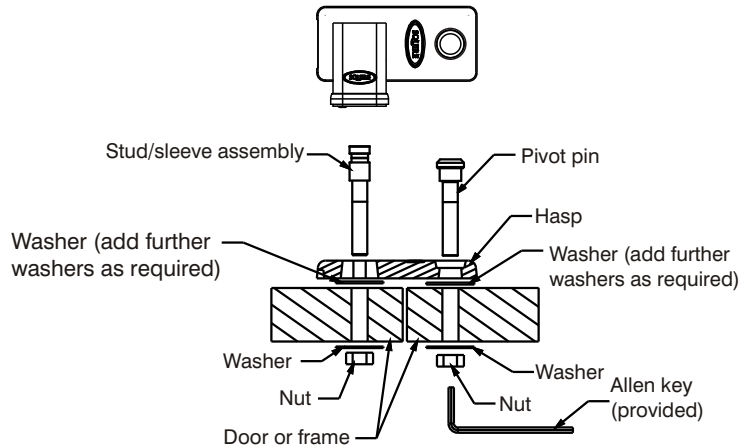


# Fitting Instructions - HLS50 S and HLS50 P5

Suitable only for flush fitting doors - doors/frame

Fig. 1



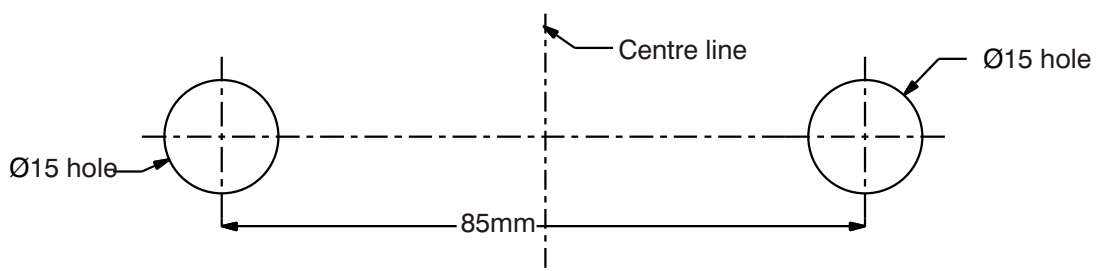
## Fitting Instructions

**IMPORTANT NOTES: READ ALL INSTRUCTION BEFORE PROCEEDING.**

Area of template must be free from obstruction to allow hasp to swing.

1. Determine the position for the pivot pin when facing the intended installed lockset:
  - (a) If the door opens away from you the pivot pin will be located in the frame work or the other door (in case of double doors).
  - (b) If the door opens towards you the pivot pin will be located in this door.
2. Carefully cut out the template provided.
3. Position the template with the centre line lined up with the edge of the door.
4. Mark the hole centres through the template.
5. Drill both holes on these centres with a 15mm drill.
6. Referring to the diagram:
  - (a) Assemble the stud/sleeve into the appropriate hole (noting the position of the washers) and tighten moderately.
  - (b) Assemble the pivot pin through the hasp and into the remaining hole (again noting the position of the washers) and tighten moderately using allen key.
7. Any slight misalignment between the surfaces might cause binding of the hasp. In this case, using the spare washers, correct the alignment and finally tighten both nuts firmly.

## Drill Template



**IMPORTANT NOTE: IF YOU ARE PRINTING THESE FITTING INSTRUCTIONS FROM THE WEBSITE BE SURE TO PRINT AT 100% TO MAKE SURE THAT THIS DRILL TEMPLATE IS THE CORRECT SIZE.**

