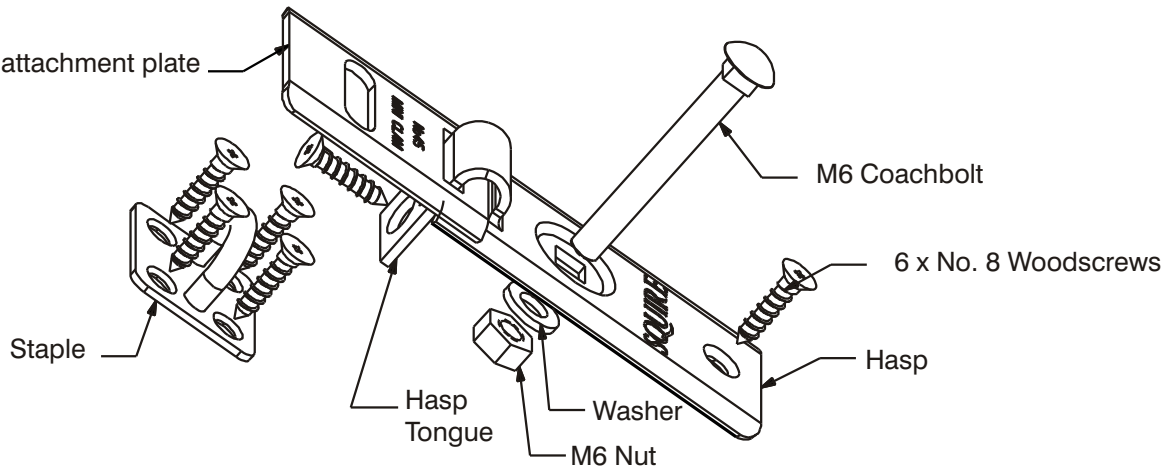


## Fitting Instructions - No. 45 Mini Clam

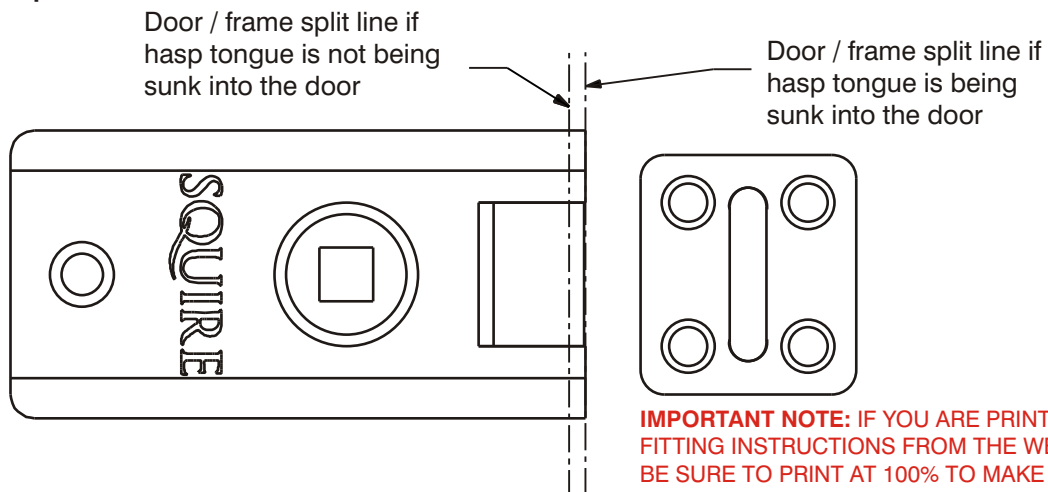
Fig. 1



### Fitting Instructions

1. Cut out the template below. If the gap between the door and the door frame is too small you may have to sink the hasp tongue (see Fig. 1) into the side of the door using a chisel. After choosing which split line you need to use and which way round you wish to attach the product, tape the template to the door and door frame in its correct position.
2. Using an appropriate drill bit, drill the five round screw holes into the door and the door frame. Remove the template and attach the hasp and locking staple to the door and frame using the wood screws provided.
3. With the hasp and the staple secured drill a  $\text{Ø}6.5\text{mm}$  hole in the square bolt hole right through the door. Put the coach bolt through the hole and secure on the other side with the washer and nut.
4. Finally, drill the last wood screw hole into the side of the door using the hole in the hasp tongue as a guide and screw in the remaining wood screw.

### Drill Template



**IMPORTANT NOTE: IF YOU ARE PRINTING THESE FITTING INSTRUCTIONS FROM THE WEBSITE BE SURE TO PRINT AT 100% TO MAKE SURE THAT THIS DRILL TEMPLATE IS THE CORRECT SIZE.**