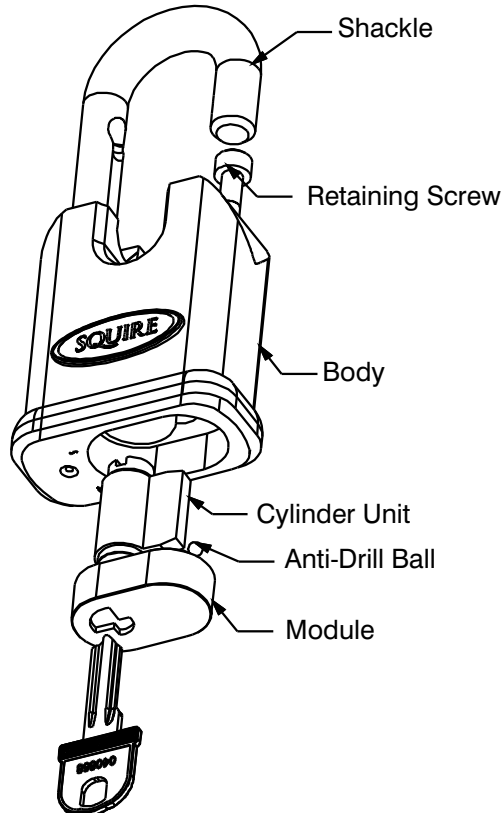


Lockmakers since 1780

Fitting Instructions

How to change the cylinder in the **Stronghold**[®] SS50S, SS65S, SS50CS, SS65CS models



1. Insert key and open Padlock to expose the retaining screw.
2. Remove the retaining screw, keeping pressure on the key to hold in the Module.
3. Re-lock the Padlock. Do not remove the key.
4. Using the key, pull out the Module. Replace the cylinder as required.
5. Re-insert the Module and operate the key until the cylinder engages with the cam.
6. Hold the Module in place and check the Padlock operates correctly.
7. Un-lock the Padlock, keeping pressure on the key, replace anti drill ball and re-fit retaining screw.

Henry Squire & Sons Limited

Hilton Cross Business Park, Cannock Road, Featherstone, Wolverhampton, WV10 7QZ

Tel: 01902 308050 Fax: 01902 308051 E-Mail: info@henry-squire.co.uk Website: www.squirelocks.co.uk