

Stronghold® BULLIT™

Shutter locks WS50S Range

These hi-security padlocks are purpose designed for securing roller shutters, warehouses, garages, lorries, perimeter gates, trailers and high security doors.

For maximum strength and durability, the lock body is made from solid hardened steel and the shackle is made of hardened boron alloy steel. Designed to meet the CEN European Standards, SQUIRE Stronghold® Bullit™ range conforms to BS EN12320 grades 3 and 4 with an approved cylinder.

WS50S

- Solid hardened steel lock body
- Rekeyable 6 pin cylinder - over 250,000 key differs
- Hardened boron alloy steel shackle
- Electrophoretic finish - excellent corrosion resistance.

WS50P5

- Solid hardened steel lock body
- Rekeyable 5 pin cylinder - 1500 key differs
- Hardened boron alloy steel shackle
- Electrophoretic finish - excellent corrosion resistance.

WS50EM

- Accepts a standard halved double 71mm Europrofile cylinder
- Easy and quick to fit
- Integrates with any key system
- Solid hardened steel lock body
- Electrophoretic finish - excellent corrosion resistance
- Supplied body only.

Grade 3-4



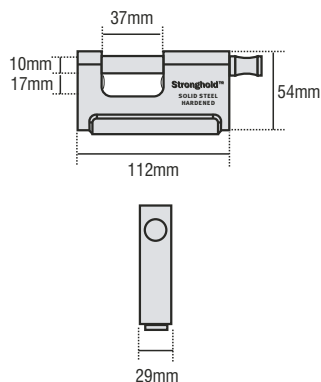
Dual compound body cover for easy handling

Hardened boron alloy steel shackle

Solid hardened steel lock body

Electrophoretic finish - excellent corrosion resistance

Rekeyable 5 pin cylinder



Model Number	Body Width (mm)	Body Thickness (mm)	Shackle Diameter (mm)	Vertical Shackle Clearance (mm)	Horizontal Shackle Clearance (mm)	Shackle Material	Hardened Shackle	Mechanism	Key Variations	Body Material	Keyed Alike CEN	Master Keyed Available
Lock	A	B	C	D	E							
WS50	54.0	29	10.0	17.0	37.0	Boron steel	Yes	6 Pin Tumbler	260,000	Solid hardened steel	4	Yes
WS50P5	54.0	29	10.0	17.0	37.0	Boron steel	Yes	5 Pin Tumbler	1500	Solid hardened steel	3	Yes
WS50EM	54.0	29	10.0	17.0	37.0	Boron steel	Yes	Body only	N/A	Solid hardened steel	4	N/A