

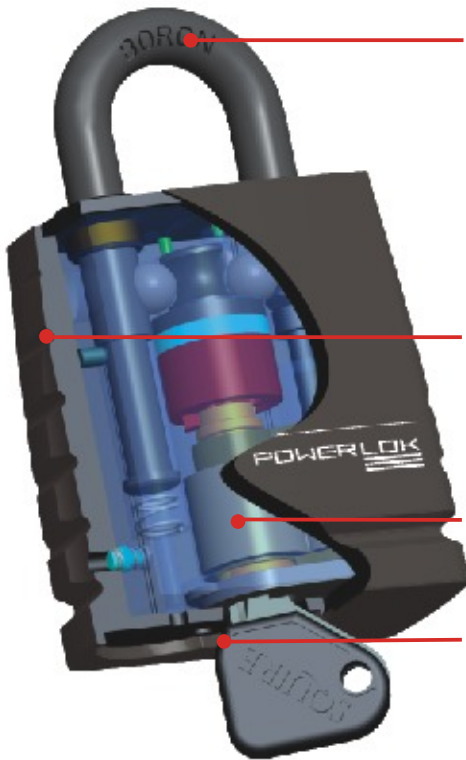
**POWERLOK™**

**Unbeatable toughness in any weather**

POL45, POL45CS, POL55 and POL55CS

Constructed for extreme durability outdoors these heavy duty padlocks are designed for securing garages, site equipment, vans, perimeter gates, commercial vehicles and storage areas.

Made from solid steel, **Powerlok™** padlocks benefit from state-of-the-art British manufacturing to ensure the tightest tolerances, reliability and security. They come with an innovative soft-feel weatherproof body cover for easy handling. All locks are rekeyable.



**Hardened Boron alloy steel shackle: spring loaded opening and closing, double deadlocking and ball locking**

**Solid steel lock body with weatherproof soft-feel lock cover.**

**Rekeyable P5 5 pin cylinders - anti pick**

**Weatherproof dust cover**

**Powerlok™ features**

- Heavy duty security product
- Solid steel lock body
- Soft feel body cover for easy handling
- REKEYABLE 5 pin tumbler cylinder
- Boron steel shackle - hardened
- Spring locking, double deadlocking, ball locking.

**Powerlok™ benefits**

- Heavy duty construction for high security protection
- Easy to use self-locking mechanism.
- Easy to handle lock body, particularly in cold weather
- Weather-proof covering gives excellent outdoor durability
- Rekeyable lock enables change of key systems.



Available in clam shell packs or individual boxes



POLCS - 1D



POL - 1D



The range



POL45  
45mm



POL45CS  
45mm

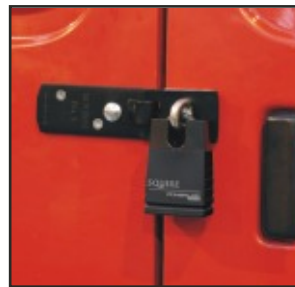


POL55  
55mm



POL55CS  
55mm

Uses



Garages, site equipment, vans, perimeter gates, commercial vehicles, storage areas.

Other colours available



Blue

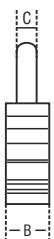
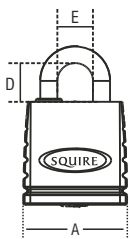


Yellow



Red

Dimensions



Model Number	Body Width (mm)	Body Thickness (mm)	Shackle Diameter (mm)	Vertical Shackle Clearance (mm)	Horizontal Shackle Clearance (mm)	Shackle Material	Hardened Shackle	Mechanism	Key Variations	Body Material	Keyed Alike Available	Master Keyed Available
Lock	A	B	C	D	E							
POL45	57.5*	37.5	9.0	20.0	20.0	Boron steel	Yes	5 Pin Tumbler	1500	Solid steel	Yes	Yes
POL45CS	57.5*	37.5	9.0	19.0	20.0	Boron steel	Yes	5 Pin Tumbler	1500	Solid steel	Yes	Yes
POL55	67.5*	37.5	11.0	25.0	23.0	Boron steel	Yes	5 Pin Tumbler	1500	Solid steel	Yes	Yes
POL55CS	67.5*	37.5	11.0	23.0	23.0	Boron steel	Yes	5 Pin Tumbler	1500	Solid steel	Yes	Yes

\* Including lock body cover