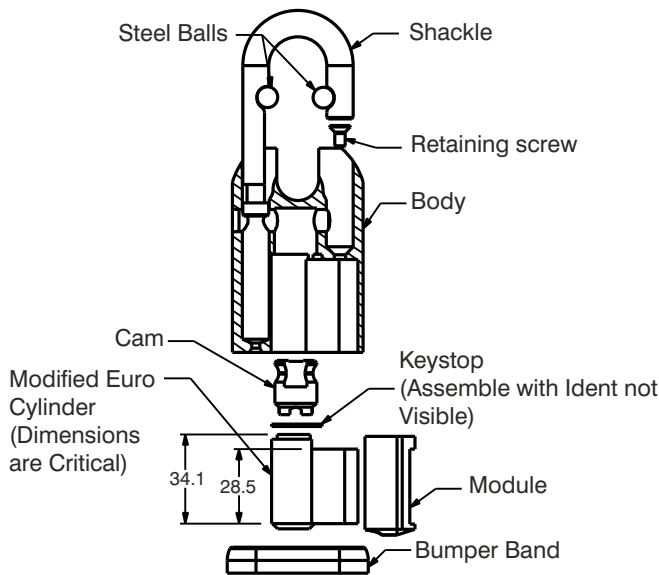




## Fitting Instructions

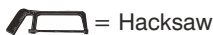
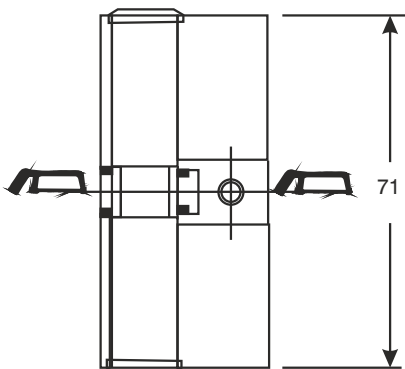
### How to modify a europrofile cylinder to fit the SS50EM, SS50CEM, SB50EM, SB50CEM padlocks



1. Remove module
2. Modify a euro cylinder to dimensions shown and insert into Module and then into padlock body.
3. Lock and unlock padlock to ensure correct operation. Insert retaining screw and tighten

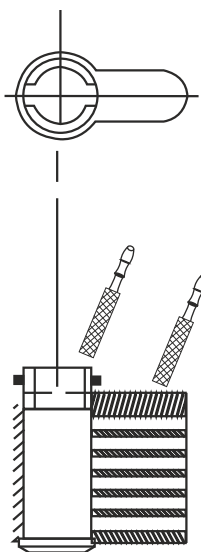
**1** A single or double cylinder can be modified. A 71mm equal sided double is recommended.

*N.B. Remember you now have two cylinders - more keys may be required.*



All Dimensions in Metric

**2** Modify it by cutting and filing



**3** The modified cylinder should have these dimensions which are critical

