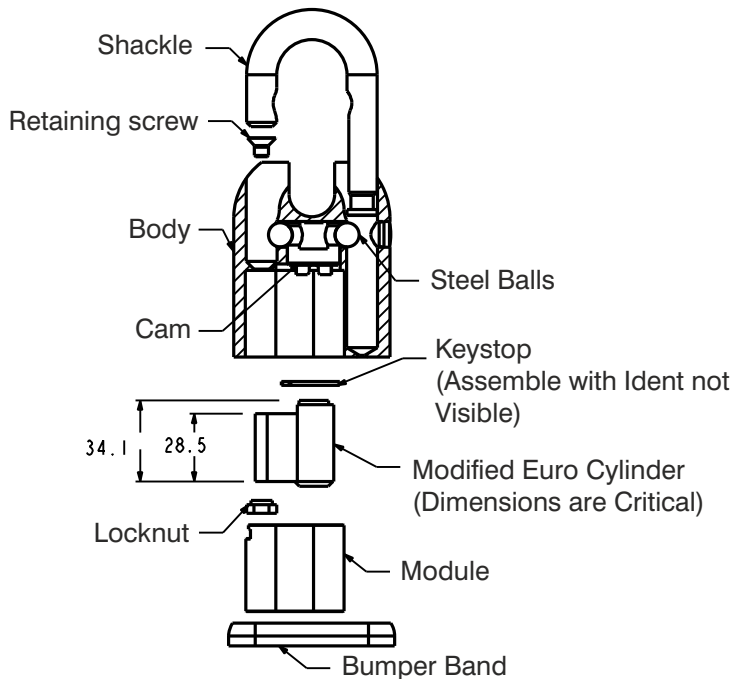




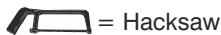
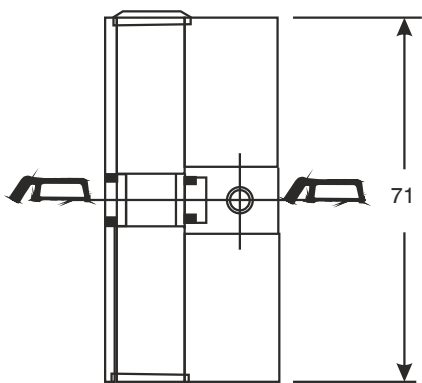
Fitting Instructions - How to modify a europrofile cylinder to fit the SS65E series padlocks



1. Remove module
2. Modify a Euro Cylinder to Dimensions shown and insert into module and then into padlock body.
3. Lock and unlock padlock to ensure correct operation. Insert retaining screw and tighten.

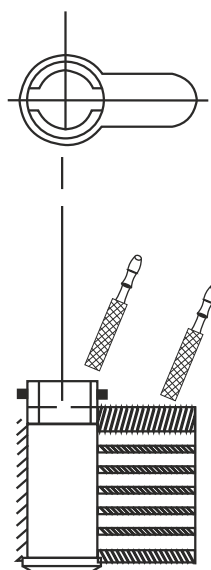
- 1** A Single or double cylinder can be modified. A 71mm equal sided Double is recommended.

N.B. Remember if you now have two cylinders - more keys may be required.



All Dimensions in Metric

- 2** Modify it by cutting and filing



- 3** The modified cylinder should have these dimensions which are critical

