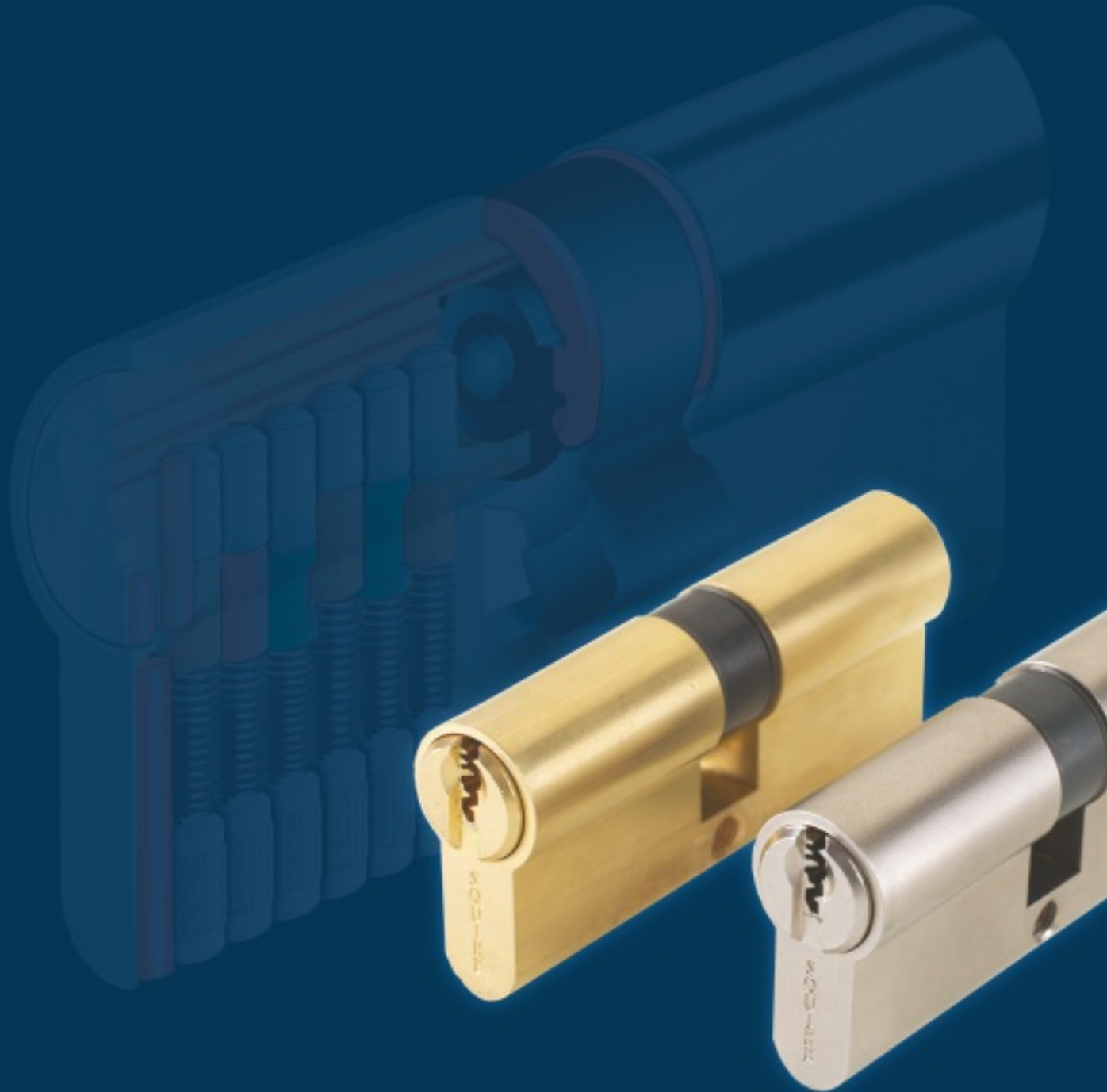




Stronghold[®] Cylinder Range

A comprehensive range of standard, restricted, protected, and dimple pin cylinders



Toughness guaranteed.

Introducing Squire

Celebrating over 235 years of lock making

Squire is a family brand with great history which has been carried down through eight generations. Over this time, the one thing that's kept us going is our ability to change with the world.

Squire has been at the forefront of international lock making for over 235 years. As an eighth generation independent family-owned lock manufacturer, Squire continues its tradition of offering high-quality, performance-led products at very competitive prices.

Technological innovation is our trademark, producing market-leading security solutions for the home, business and on the move. Using superior design capabilities and manufactured with state-of-the-art production methods, the result is an unrivalled range of top security products, including our new range of super-intelligent padlocks which revolutionise access control.

Our award-winning products are used in a diverse range of applications - from securing bicycles to protecting multi-million pound operations and remote sites the world over. Unwavering in our commitment to first-class customer service and to continuing to provide the best solutions to meet ever-evolving security needs, we're always very happy to help you.

We have carefully looked at the security cylinder and what is available presently. Together with our team of engineers and lock specialists we have brought to you a range of security cylinders that offer you the very best in quality, reliability, availability and with a price that will suit the most discerning customer.

Toughness guaranteed.



Sold secure



CEN approved



Certificate Number 396
ISO 9001, ISO 14001



Door & Hardware Federation



Certified to
LPS 1054: Issue 1
Security Rating 2
Cert. No. 1179a/01



Independent crime-fighting charity

Secured by Design



Police Preferred Specification



Squire



Twitter.com/
squirebikebuzz



Cylinder Ranges

Squire's range of high security cylinders

Squire's range of cylinders combines uniqueness, quality, reliability and a competitive pricing structure.

All cylinders come with 6-pin technology, anti drill capabilities and anti picking protection as standard features.

Available in two finishes, brass and nickel silver. Our Standard range offers you not only quality and reliability but also a very distinctive unique key bow.

The Restricted range has a secure method of controlling the copying of keys. This is achieved by means of a security key card and closely monitoring the issuing of key blanks. To enhance the security of key blanks we have our Protected range. This provides the specification market with the ideal answer to "who actually has a key blank that can copy my key". We never issue protected key blanks and the profile is protected from copying during its life long use.

In addition to the Standard, Restricted and Protected ranges, Squire also offer the Elite1™ dimple pin range of cylinders.

This product range has been successfully type-tested for conformity to all of the requirements of BS EN 1303.

All products have been manufactured according to the quality system ISO 9001 2000.



Stronghold® Standard Range

Page 3



Stronghold® Restricted Range

Page 5



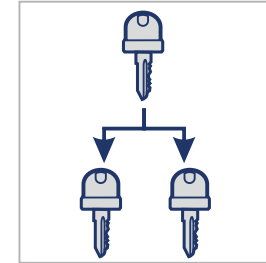
Stronghold® Protected Range

Page 7



Stronghold® Elite 1™ Cylinder Range Dimple pin key system

Page 9



Master Key and Keyed Alike Services

Page 11



NW4 Stronghold® KIK cylinder

Page 12



Cylinders for padlocks

Page 13



Anti Plug Extract



Anti Bump



Anti Pick



Anti Drill



10 Year Personal Guarantee

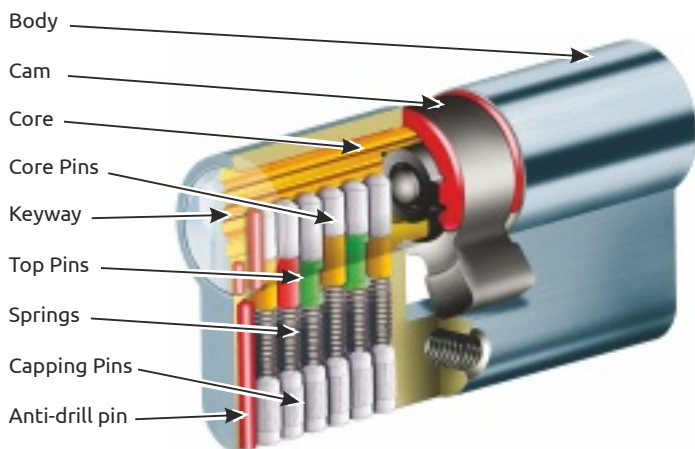
Stronghold® Standard Range

The Squire **Stronghold**® Standard profile with its unique key bow gives you the best in quality, reliability and availability. Combined with a very competitive pricing structure and you have the perfect product for the discerning customer.

- High quality 6 pin locking system with nickel plated pins
- 262,000 keying differs
- Picking protected
- Drill protection in cylinder body with 1 alloy steel pin
- Drill protection in core with 3 alloy steel pins
- Protection against pulling
- Nickel plated core (Nickel finish cylinders only)
- High wear resistance
- Supplied with 3 nickel plated brass Squire keys
- Can be supplied master keyed or keyed alike from our in house workshop
- Blanks available from Squire



A Scandinavian oval profile is also available on request



Standard Half Euro Cylinder

Code	Description	Dimensions mm			Finish	Pack Type	Min Qty
		A	B	C			
HC1	Standard Half Euro Cylinder, 3 Keys	31	9	40	Brass/Nickel	BOX	1
HC2	Standard Half Euro Cylinder, 3 Keys	36	9	45	Brass/Nickel	BOX	1
HC3	Standard Half Euro Cylinder, 3 Keys	41	9	50	Brass/Nickel	BOX	1
HC4	Standard Half Euro Cylinder, 3 Keys	46	9	55	Brass/Nickel	BOX	1

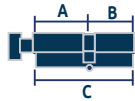
Standard Range

Stronghold®
Standard Cylinders
Standard Rim Cylinder



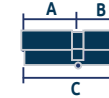
Code	Description	Dimensions	Finish	Pack Type	Min Qty
RCS1	Standard Rim Cylinder, 3 Keys	standard dimensions	Brass/Nickel	BOX	1

Standard Knob Cylinder



Code	Description	Dimensions mm			Finish	Pack Type	Min Qty
		A	B	C			
KC1	Standard Knob Euro Cylinder, 3 Keys	31	31	62	Brass/Nickel	BOX	1
KC2	Standard Knob Euro Cylinder, 3 Keys	31	36	67	Brass/Nickel	BOX	1
KC3	Standard Knob Euro Cylinder, 3 Keys	31	41	72	Brass/Nickel	BOX	1
KC4	Standard Knob Euro Cylinder, 3 Keys	31	46	77	Brass/Nickel	BOX	1
KC5	Standard Knob Euro Cylinder, 3 Keys	31	51	82	Brass/Nickel	BOX	1
KC6	Standard Knob Euro Cylinder, 3 Keys	36	31	67	Brass/Nickel	BOX	1
KC7	Standard Knob Euro Cylinder, 3 Keys	36	36	72	Brass/Nickel	BOX	1
KC8	Standard Knob Euro Cylinder, 3 Keys	36	41	77	Brass/Nickel	BOX	1
KC9	Standard Knob Euro Cylinder, 3 Keys	36	46	82	Brass/Nickel	BOX	1
KC10	Standard Knob Euro Cylinder, 3 Keys	36	51	87	Brass/Nickel	BOX	1
KC11	Standard Knob Euro Cylinder, 3 Keys	41	31	72	Brass/Nickel	BOX	1
KC12	Standard Knob Euro Cylinder, 3 Keys	41	36	77	Brass/Nickel	BOX	1
KC13	Standard Knob Euro Cylinder, 3 Keys	41	41	82	Brass/Nickel	BOX	1
KC14	Standard Knob Euro Cylinder, 3 Keys	41	46	87	Brass/Nickel	BOX	1
KC15	Standard Knob Euro Cylinder, 3 Keys	41	51	92	Brass/Nickel	BOX	1
KC16	Standard Knob Euro Cylinder, 3 Keys	46	31	77	Brass/Nickel	BOX	1
KC17	Standard Knob Euro Cylinder, 3 Keys	46	36	82	Brass/Nickel	BOX	1
KC18	Standard Knob Euro Cylinder, 3 Keys	46	41	87	Brass/Nickel	BOX	1
KC19	Standard Knob Euro Cylinder, 3 Keys	46	46	92	Brass/Nickel	BOX	1
KC20	Standard Knob Euro Cylinder, 3 Keys	46	51	97	Brass/Nickel	BOX	1

Standard Euro Double Cylinder



Code	Description	Dimensions mm			Finish	Pack Type	Min Qty
		A	B	C			
DC1	Standard Double Euro Cylinder, 3 Keys	31	31	62	Brass/Nickel	BOX	1
DC2	Standard Double Euro Cylinder, 3 Keys	31	36	67	Brass/Nickel	BOX	1
DC3	Standard Double Euro Cylinder, 3 Keys	31	41	72	Brass/Nickel	BOX	1
DC4	Standard Double Euro Cylinder, 3 Keys	31	46	77	Brass/Nickel	BOX	1
DC5	Standard Double Euro Cylinder, 3 Keys	31	51	82	Brass/Nickel	BOX	1
DC6	Standard Double Euro Cylinder, 3 Keys	31	56	87	Brass/Nickel	BOX	1
DC7	Standard Double Euro Cylinder, 3 Keys	31	61	92	Brass/Nickel	BOX	1
DC8	Standard Double Euro Cylinder, 3 Keys	31	66	97	Brass/Nickel	BOX	1
DC9	Standard Double Euro Cylinder, 3 Keys	31	71	102	Brass/Nickel	BOX	1
DC10	Standard Double Euro Cylinder, 3 Keys	36	36	72	Brass/Nickel	BOX	1
DC11	Standard Double Euro Cylinder, 3 Keys	36	41	77	Brass/Nickel	BOX	1
DC12	Standard Double Euro Cylinder, 3 Keys	36	46	82	Brass/Nickel	BOX	1
DC13	Standard Double Euro Cylinder, 3 Keys	36	51	87	Brass/Nickel	BOX	1
DC14	Standard Double Euro Cylinder, 3 Keys	36	56	92	Brass/Nickel	BOX	1
DC15	Standard Double Euro Cylinder, 3 Keys	36	61	97	Brass/Nickel	BOX	1
DC16	Standard Double Euro Cylinder, 3 Keys	41	41	82	Brass/Nickel	BOX	1
DC17	Standard Double Euro Cylinder, 3 Keys	41	46	87	Brass/Nickel	BOX	1
DC18	Standard Double Euro Cylinder, 3 Keys	41	51	92	Brass/Nickel	BOX	1
DC19	Standard Double Euro Cylinder, 3 Keys	41	56	97	Brass/Nickel	BOX	1
DC20	Standard Double Euro Cylinder, 3 Keys	41	61	102	Brass/Nickel	BOX	1
DC21	Standard Double Euro Cylinder, 3 Keys	46	46	92	Brass/Nickel	BOX	1
DC22	Standard Double Euro Cylinder, 3 Keys	46	51	97	Brass/Nickel	BOX	1
DC23	Standard Double Euro Cylinder, 3 Keys	46	56	102	Brass/Nickel	BOX	1
DC24	Standard Double Euro Cylinder, 3 Keys	46	61	107	Brass/Nickel	BOX	1
DC25	Standard Double Euro Cylinder, 3 Keys	51	51	102	Brass/Nickel	BOX	1
DC26	Standard Double Euro Cylinder, 3 Keys	51	61	112	Brass/Nickel	BOX	1
DC27	Standard Double Euro Cylinder, 3 Keys	56	56	112	Brass/Nickel	BOX	1



Anti Plug Extract



Anti Bump



Anti Pick



Anti Drill

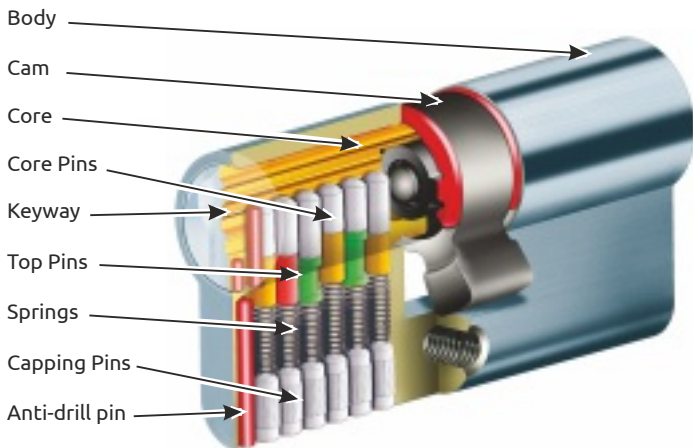


10 Year Guarantee

Stronghold® Restricted Range

The Squire Stronghold® Restricted profile provides you with a secure method of controlling the copying of your cut keys. The Restricted range is quality engineered to give you the very best in a security cylinder. Capable of coping with large master key systems and the high usage demands put on the individual cylinder. It can also provide locksmiths with the luxury of their own profile.

- High quality 6 pin locking system with nickel silver pins
- 530,000 keying differs
- Restricted multiple profiles (profiles will be available under close supervision) security key card protected
- Picking protected
- Drill protection in cylinder body with 1 tungsten carbide pin
- Drill protection in core with 3 tungsten carbide pins
- Protection against pulling
- Nickel plated core (Nickel finish cylinders only)
- High wear resistance
- Supplied with 3 nickel silver keys
- Can be supplied master keyed or keyed alike from our in house workshop
- The system is protected by a security card which must be produced in order to have a copy key cut.



A Scandinavian oval profile is also available on request



Restricted Half Euro Cylinder

Code	Description	Dimensions mm			Finish	Pack Type	Min Qty
		A	B	C			
HC1	Restricted Half Euro Cylinder, 3 Keys	31	9	40	Brass/Nickel	BOX	1
HC2	Restricted Half Euro Cylinder, 3 Keys	36	9	45	Brass/Nickel	BOX	1
HC3	Restricted Half Euro Cylinder, 3 Keys	41	9	50	Brass/Nickel	BOX	1
HC4	Restricted Half Euro Cylinder, 3 Keys	46	9	55	Brass/Nickel	BOX	1

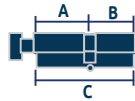
Restricted Range

Stronghold®
Restricted Cylinders
Restricted Rim Cylinder



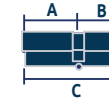
Code	Description	Dimensions	Finish	Pack Type	Min Qty
RCR1	Restricted Rim Cylinder, 3 Keys	standard dimensions	Brass/Nickel	BOX	1

Restricted Knob Cylinder



Code	Description	Dimensions mm			Finish	Pack Type	Min Qty
		A	B	C			
KC1	Restricted Knob Euro Cylinder, 3 Keys	31	31	62	Brass/Nickel	BOX	1
KC2	Restricted Knob Euro Cylinder, 3 Keys	31	36	67	Brass/Nickel	BOX	1
KC3	Restricted Knob Euro Cylinder, 3 Keys	31	41	72	Brass/Nickel	BOX	1
KC4	Restricted Knob Euro Cylinder, 3 Keys	31	46	77	Brass/Nickel	BOX	1
KC5	Restricted Knob Euro Cylinder, 3 Keys	31	51	82	Brass/Nickel	BOX	1
KC6	Restricted Knob Euro Cylinder, 3 Keys	36	31	67	Brass/Nickel	BOX	1
KC7	Restricted Knob Euro Cylinder, 3 Keys	36	36	72	Brass/Nickel	BOX	1
KC8	Restricted Knob Euro Cylinder, 3 Keys	36	41	77	Brass/Nickel	BOX	1
KC9	Restricted Knob Euro Cylinder, 3 Keys	36	46	82	Brass/Nickel	BOX	1
KC10	Restricted Knob Euro Cylinder, 3 Keys	36	51	87	Brass/Nickel	BOX	1
KC11	Restricted Knob Euro Cylinder, 3 Keys	41	31	72	Brass/Nickel	BOX	1
KC12	Restricted Knob Euro Cylinder, 3 Keys	41	36	77	Brass/Nickel	BOX	1
KC13	Restricted Knob Euro Cylinder, 3 Keys	41	41	82	Brass/Nickel	BOX	1
KC14	Restricted Knob Euro Cylinder, 3 Keys	41	46	87	Brass/Nickel	BOX	1
KC15	Restricted Knob Euro Cylinder, 3 Keys	41	51	92	Brass/Nickel	BOX	1
KC16	Restricted Knob Euro Cylinder, 3 Keys	46	31	77	Brass/Nickel	BOX	1
KC17	Restricted Knob Euro Cylinder, 3 Keys	46	36	82	Brass/Nickel	BOX	1
KC18	Restricted Knob Euro Cylinder, 3 Keys	46	41	87	Brass/Nickel	BOX	1
KC19	Restricted Knob Euro Cylinder, 3 Keys	46	46	92	Brass/Nickel	BOX	1
KC20	Restricted Knob Euro Cylinder, 3 Keys	46	51	97	Brass/Nickel	BOX	1

Restricted Euro Double Cylinder



Code	Description	Dimensions mm			Finish	Pack Type	Min Qty
		A	B	C			
DC1	Restricted Double Euro Cylinder, 3 Keys	31	31	62	Brass/Nickel	BOX	1
DC2	Restricted Double Euro Cylinder, 3 Keys	31	36	67	Brass/Nickel	BOX	1
DC3	Restricted Double Euro Cylinder, 3 Keys	31	41	72	Brass/Nickel	BOX	1
DC4	Restricted Double Euro Cylinder, 3 Keys	31	46	77	Brass/Nickel	BOX	1
DC5	Restricted Double Euro Cylinder, 3 Keys	31	51	82	Brass/Nickel	BOX	1
DC6	Restricted Double Euro Cylinder, 3 Keys	31	56	87	Brass/Nickel	BOX	1
DC7	Restricted Double Euro Cylinder, 3 Keys	31	61	92	Brass/Nickel	BOX	1
DC8	Restricted Double Euro Cylinder, 3 Keys	31	66	97	Brass/Nickel	BOX	1
DC9	Restricted Double Euro Cylinder, 3 Keys	31	71	102	Brass/Nickel	BOX	1
DC10	Restricted Double Euro Cylinder, 3 Keys	36	36	72	Brass/Nickel	BOX	1
DC11	Restricted Double Euro Cylinder, 3 Keys	36	41	77	Brass/Nickel	BOX	1
DC12	Restricted Double Euro Cylinder, 3 Keys	36	46	82	Brass/Nickel	BOX	1
DC13	Restricted Double Euro Cylinder, 3 Keys	36	51	87	Brass/Nickel	BOX	1
DC14	Restricted Double Euro Cylinder, 3 Keys	36	56	92	Brass/Nickel	BOX	1
DC15	Restricted Double Euro Cylinder, 3 Keys	36	61	97	Brass/Nickel	BOX	1
DC16	Restricted Double Euro Cylinder, 3 Keys	41	41	82	Brass/Nickel	BOX	1
DC17	Restricted Double Euro Cylinder, 3 Keys	41	46	87	Brass/Nickel	BOX	1
DC18	Restricted Double Euro Cylinder, 3 Keys	41	51	92	Brass/Nickel	BOX	1
DC19	Restricted Double Euro Cylinder, 3 Keys	41	56	97	Brass/Nickel	BOX	1
DC20	Restricted Double Euro Cylinder, 3 Keys	41	61	102	Brass/Nickel	BOX	1
DC21	Restricted Double Euro Cylinder, 3 Keys	46	46	92	Brass/Nickel	BOX	1
DC22	Restricted Double Euro Cylinder, 3 Keys	46	51	97	Brass/Nickel	BOX	1
DC23	Restricted Double Euro Cylinder, 3 Keys	46	56	102	Brass/Nickel	BOX	1
DC24	Restricted Double Euro Cylinder, 3 Keys	46	61	107	Brass/Nickel	BOX	1
DC25	Restricted Double Euro Cylinder, 3 Keys	51	51	102	Brass/Nickel	BOX	1
DC26	Restricted Double Euro Cylinder, 3 Keys	51	61	112	Brass/Nickel	BOX	1
DC27	Restricted Double Euro Cylinder, 3 Keys	56	56	112	Brass/Nickel	BOX	1



Anti Plug Extract



Anti Bump



Anti Pick



Anti Drill

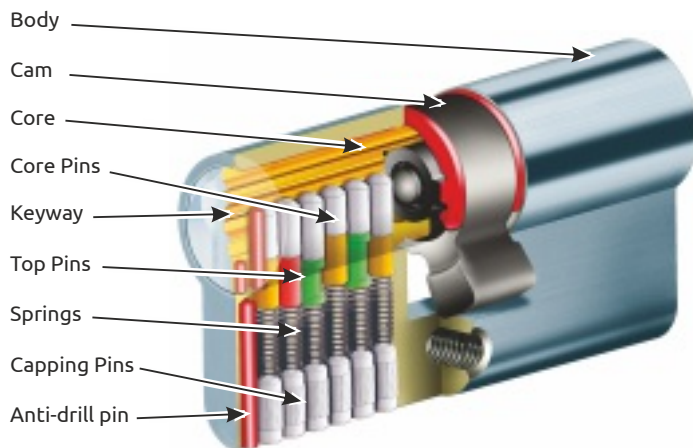


10 Year Personal Guarantee

Stronghold® Protected Range

The Squire **Stronghold®** Protected profile provides the specification market with the ideal answer to the ever-increasing awareness of protected systems. With its very unique profile the Protected range has a life long protection. This will guarantee the user that a copy of their key can never be cut unless authorised by the user.

- High quality 6 pin locking system with nickel silver pins
- 530,000 keying differs
- Protected profile. Guaranteeing complete control over key blanks.
- Security key card protected
- Picking protected
- Drill protection in cylinder body with 1 tungsten carbide pin
- Drill protection in core with 3 tungsten carbide pins
- Protection against pulling
- Nickel plated core (Nickel finish cylinders only)
- High wear resistance
- Supplied with 3 nickel silver keys
- Can be supplied master keyed or keyed alike from our in house workshop
- The system is protected by a security card which must be produced in order to have a copy key cut.



A Scandinavian oval profile is also available on request



Protected Half Euro Cylinder

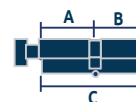
Code	Description	Dimensions mm			Finish	Pack Type	Min Qty
		A	B	C			
HC1	Protected Half Euro Cylinder, 3 Keys	31	9	40	Brass/Nickel	BOX	1
HC2	Protected Half Euro Cylinder, 3 Keys	36	9	45	Brass/Nickel	BOX	1
HC3	Protected Half Euro Cylinder, 3 Keys	41	9	50	Brass/Nickel	BOX	1
HC4	Protected Half Euro Cylinder, 3 Keys	46	9	55	Brass/Nickel	BOX	1

Protected Range

Stronghold®
Protected Cylinders
Protected Rim Cylinder



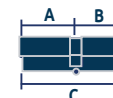
Code	Description	Dimensions	Finish	Pack Type	Min Qty
RCP1	Protected Rim Cylinder, 3 Keys	standard dimensions	Brass/Nickel	BOX	1



Protected Knob Cylinder

Code	Description	Dimensions mm			Finish	Pack Type	Min Qty
		A	B	C			
KC1	Protected Knob Euro Cylinder, 3 Keys	31	31	62	Brass/Nickel	BOX	1
KC2	Protected Knob Euro Cylinder, 3 Keys	31	36	67	Brass/Nickel	BOX	1
KC3	Protected Knob Euro Cylinder, 3 Keys	31	41	72	Brass/Nickel	BOX	1
KC4	Protected Knob Euro Cylinder, 3 Keys	31	46	77	Brass/Nickel	BOX	1
KC5	Protected Knob Euro Cylinder, 3 Keys	31	51	82	Brass/Nickel	BOX	1
KC6	Protected Knob Euro Cylinder, 3 Keys	36	31	67	Brass/Nickel	BOX	1
KC7	Protected Knob Euro Cylinder, 3 Keys	36	36	72	Brass/Nickel	BOX	1
KC8	Protected Knob Euro Cylinder, 3 Keys	36	41	77	Brass/Nickel	BOX	1
KC9	Protected Knob Euro Cylinder, 3 Keys	36	46	82	Brass/Nickel	BOX	1
KC10	Protected Knob Euro Cylinder, 3 Keys	36	51	87	Brass/Nickel	BOX	1
KC11	Protected Knob Euro Cylinder, 3 Keys	41	31	72	Brass/Nickel	BOX	1
KC12	Protected Knob Euro Cylinder, 3 Keys	41	36	77	Brass/Nickel	BOX	1
KC13	Protected Knob Euro Cylinder, 3 Keys	41	41	82	Brass/Nickel	BOX	1
KC14	Protected Knob Euro Cylinder, 3 Keys	41	46	87	Brass/Nickel	BOX	1
KC15	Protected Knob Euro Cylinder, 3 Keys	41	51	92	Brass/Nickel	BOX	1
KC16	Protected Knob Euro Cylinder, 3 Keys	46	31	77	Brass/Nickel	BOX	1
KC17	Protected Knob Euro Cylinder, 3 Keys	46	36	82	Brass/Nickel	BOX	1
KC18	Protected Knob Euro Cylinder, 3 Keys	46	41	87	Brass/Nickel	BOX	1
KC19	Protected Knob Euro Cylinder, 3 Keys	46	46	92	Brass/Nickel	BOX	1
KC20	Protected Knob Euro Cylinder, 3 Keys	46	51	97	Brass/Nickel	BOX	1

Protected Euro Double Cylinder



Code	Description	Dimensions mm			Finish	Pack Type	Min Qty
		A	B	C			
DC1	Protected Double Euro Cylinder, 3 Keys	31	31	62	Brass/Nickel	BOX	1
DC2	Protected Double Euro Cylinder, 3 Keys	31	36	67	Brass/Nickel	BOX	1
DC3	Protected Double Euro Cylinder, 3 Keys	31	41	72	Brass/Nickel	BOX	1
DC4	Protected Double Euro Cylinder, 3 Keys	31	46	77	Brass/Nickel	BOX	1
DC5	Protected Double Euro Cylinder, 3 Keys	31	51	82	Brass/Nickel	BOX	1
DC6	Protected Double Euro Cylinder, 3 Keys	31	56	87	Brass/Nickel	BOX	1
DC7	Protected Double Euro Cylinder, 3 Keys	31	61	92	Brass/Nickel	BOX	1
DC8	Protected Double Euro Cylinder, 3 Keys	31	66	97	Brass/Nickel	BOX	1
DC9	Protected Double Euro Cylinder, 3 Keys	31	71	102	Brass/Nickel	BOX	1
DC10	Protected Double Euro Cylinder, 3 Keys	36	36	72	Brass/Nickel	BOX	1
DC11	Protected Double Euro Cylinder, 3 Keys	36	41	77	Brass/Nickel	BOX	1
DC12	Protected Double Euro Cylinder, 3 Keys	36	46	82	Brass/Nickel	BOX	1
DC13	Protected Double Euro Cylinder, 3 Keys	36	51	87	Brass/Nickel	BOX	1
DC14	Protected Double Euro Cylinder, 3 Keys	36	56	92	Brass/Nickel	BOX	1
DC15	Protected Double Euro Cylinder, 3 Keys	36	61	97	Brass/Nickel	BOX	1
DC16	Protected Double Euro Cylinder, 3 Keys	41	41	82	Brass/Nickel	BOX	1
DC17	Protected Double Euro Cylinder, 3 Keys	41	46	87	Brass/Nickel	BOX	1
DC18	Protected Double Euro Cylinder, 3 Keys	41	51	92	Brass/Nickel	BOX	1
DC19	Protected Double Euro Cylinder, 3 Keys	41	56	97	Brass/Nickel	BOX	1
DC20	Protected Double Euro Cylinder, 3 Keys	41	61	102	Brass/Nickel	BOX	1
DC21	Protected Double Euro Cylinder, 3 Keys	46	46	92	Brass/Nickel	BOX	1
DC22	Protected Double Euro Cylinder, 3 Keys	46	51	97	Brass/Nickel	BOX	1
DC23	Protected Double Euro Cylinder, 3 Keys	46	56	102	Brass/Nickel	BOX	1
DC24	Protected Double Euro Cylinder, 3 Keys	46	61	107	Brass/Nickel	BOX	1
DC25	Protected Double Euro Cylinder, 3 Keys	51	51	102	Brass/Nickel	BOX	1
DC26	Protected Double Euro Cylinder, 3 Keys	51	61	112	Brass/Nickel	BOX	1
DC27	Protected Double Euro Cylinder, 3 Keys	56	56	112	Brass/Nickel	BOX	1



Anti Plug Extract



Anti Bump



Anti Pick



Anti Drill



10 Year Personal Guarantee

Stronghold® Elite 1™ Cylinder Range Dimple pin key system

The SQUIRE Stronghold® Elite 1™ dimple system answers a question often asked by security professionals. How can you combine a conventional saw tooth key system with a dimple system and use the same body for both?

What is the Elite 1™ Cylinder Range?

With the Stronghold® Elite 1™ system you can. Using the same body as our Standard and Restricted range of cylinders you can convert these systems to the Elite 1™ very easily. The Elite 1™ system has the same space measurements and uses the same top pins / drivers and springs. So all you need to do is remove the Standard / Restricted core and replace it with the Elite 1™ core.

You will need a small addition to your pinning kit to include the Elite 1™ differ pins but all you have to stock is Elite 1™ key blanks, Elite 1™ cores and Elite 1™ differ pins.

- High quality 6 pin locking system with nickel plated pins
- 470,000 keying differs
- Picking protected
- Drill protection in cylinder body with 1 pin
- Drill protection in core with 3 pins
- Protection against pulling
- Nickel plated core
- High wear resistance
- Supplied with 3 nickel silver SQUIRE keys
- Can be supplied master keyed or keyed alike from our in house workshop
- Can be fully integrated into our existing Stronghold® 6 pin key systems
- Key blanks are be available
- Keys can be cut on all laser and dimple key cutting machines



Compatible Cylinders



Euro Double



Euro Knob



Euro Half

The range compliments our Standard and Restricted range of cylinders and also our Squire Stronghold® padlocks. Elite 1™ can also be used with our Scandinavian oval cylinder - speak to your Squire representative for more information

Elite 1™ key blanks can be cut on all conventional dimple key cutting machines and can be cut to code on leading manufacturers, Silca, KeyLine, etc machines.



Elite 1™ Half Euro Cylinder

Code	Description	Dimensions mm			Finish	Pack Type	Min Qty
		A	B	C			
HCE1	Elite 1™ Half Euro Cylinder, 3 Keys	31	9	40	Brass/Nickel	BOX	1
HCE2	Elite 1™ Half Euro Cylinder, 3 Keys	36	9	45	Brass/Nickel	BOX	1
HCE3	Elite 1™ Half Euro Cylinder, 3 Keys	41	9	50	Brass/Nickel	BOX	1
HCE4	Elite 1™ Half Euro Cylinder, 3 Keys	46	9	55	Brass/Nickel	BOX	1

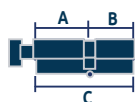
Elite 1™ Range

Stronghold® Elite 1™ Cylinders Elite 1™ Rim Cylinder



Code	Description	Dimensions	Finish	Pack Type	Min Qty
RCE1	Elite 1™ Rim Cylinder, 3 Keys	standard dimensions	Brass/Nickel	BOX	1

Elite 1™ Knob Cylinder



Code	Description	Dimensions mm			Finish	Pack Type	Min Qty
		A	B	C			
KCE1	Elite 1™ Knob Euro Cylinder, 3 Keys	31	31	62	Brass/Nickel	BOX	1
KCE2	Elite 1™ Knob Euro Cylinder, 3 Keys	31	36	67	Brass/Nickel	BOX	1
KCE3	Elite 1™ Knob Euro Cylinder, 3 Keys	31	41	72	Brass/Nickel	BOX	1
KCE4	Elite 1™ Knob Euro Cylinder, 3 Keys	31	46	77	Brass/Nickel	BOX	1
KCE5	Elite 1™ Knob Euro Cylinder, 3 Keys	31	51	82	Brass/Nickel	BOX	1
KCE6	Elite 1™ Knob Euro Cylinder, 3 Keys	36	31	67	Brass/Nickel	BOX	1
KCE7	Elite 1™ Knob Euro Cylinder, 3 Keys	36	36	72	Brass/Nickel	BOX	1
KCE8	Elite 1™ Knob Euro Cylinder, 3 Keys	36	41	77	Brass/Nickel	BOX	1
KCE9	Elite 1™ Knob Euro Cylinder, 3 Keys	36	46	82	Brass/Nickel	BOX	1
KCE10	Elite 1™ Knob Euro Cylinder, 3 Keys	36	51	87	Brass/Nickel	BOX	1
KCE11	Elite 1™ Knob Euro Cylinder, 3 Keys	41	31	72	Brass/Nickel	BOX	1
KCE12	Elite 1™ Knob Euro Cylinder, 3 Keys	41	36	77	Brass/Nickel	BOX	1
KCE13	Elite 1™ Knob Euro Cylinder, 3 Keys	41	41	82	Brass/Nickel	BOX	1
KCE14	Elite 1™ Knob Euro Cylinder, 3 Keys	41	46	87	Brass/Nickel	BOX	1
KCE15	Elite 1™ Knob Euro Cylinder, 3 Keys	41	51	92	Brass/Nickel	BOX	1
KCE16	Elite 1™ Knob Euro Cylinder, 3 Keys	46	31	77	Brass/Nickel	BOX	1
KCE17	Elite 1™ Knob Euro Cylinder, 3 Keys	46	36	82	Brass/Nickel	BOX	1
KCE18	Elite 1™ Knob Euro Cylinder, 3 Keys	46	41	87	Brass/Nickel	BOX	1
KCE19	Elite 1™ Knob Euro Cylinder, 3 Keys	46	46	92	Brass/Nickel	BOX	1
KCE20	Elite 1™ Knob Euro Cylinder, 3 Keys	46	51	97	Brass/Nickel	BOX	1

Elite 1™ Euro Double Cylinder



Code	Description	Dimensions mm			Finish	Pack Type	Min Qty
		A	B	C			
DCE1	Elite 1™ Double Euro Cylinder, 3 Keys	31	31	62	Brass/Nickel	BOX	1
DCE2	Elite 1™ Double Euro Cylinder, 3 Keys	31	36	67	Brass/Nickel	BOX	1
DCE3	Elite 1™ Double Euro Cylinder, 3 Keys	31	41	72	Brass/Nickel	BOX	1
DCE4	Elite 1™ Double Euro Cylinder, 3 Keys	31	46	77	Brass/Nickel	BOX	1
DCE5	Elite 1™ Double Euro Cylinder, 3 Keys	31	51	82	Brass/Nickel	BOX	1
DCE6	Elite 1™ Double Euro Cylinder, 3 Keys	31	56	87	Brass/Nickel	BOX	1
DCE7	Elite 1™ Double Euro Cylinder, 3 Keys	31	61	92	Brass/Nickel	BOX	1
DCE8	Elite 1™ Double Euro Cylinder, 3 Keys	31	66	97	Brass/Nickel	BOX	1
DCE9	Elite 1™ Double Euro Cylinder, 3 Keys	31	71	102	Brass/Nickel	BOX	1
DCE10	Elite 1™ Double Euro Cylinder, 3 Keys	36	36	72	Brass/Nickel	BOX	1
DCE11	Elite 1™ Double Euro Cylinder, 3 Keys	36	41	77	Brass/Nickel	BOX	1
DCE12	Elite 1™ Double Euro Cylinder, 3 Keys	36	46	82	Brass/Nickel	BOX	1
DCE13	Elite 1™ Double Euro Cylinder, 3 Keys	36	51	87	Brass/Nickel	BOX	1
DCE14	Elite 1™ Double Euro Cylinder, 3 Keys	36	56	92	Brass/Nickel	BOX	1
DCE15	Elite 1™ Double Euro Cylinder, 3 Keys	36	61	97	Brass/Nickel	BOX	1
DCE16	Elite 1™ Double Euro Cylinder, 3 Keys	41	41	82	Brass/Nickel	BOX	1
DCE17	Elite 1™ Double Euro Cylinder, 3 Keys	41	46	87	Brass/Nickel	BOX	1
DCE18	Elite 1™ Double Euro Cylinder, 3 Keys	41	51	92	Brass/Nickel	BOX	1
DCE19	Elite 1™ Double Euro Cylinder, 3 Keys	41	56	97	Brass/Nickel	BOX	1
DCE20	Elite 1™ Double Euro Cylinder, 3 Keys	41	61	102	Brass/Nickel	BOX	1
DCE21	Elite 1™ Double Euro Cylinder, 3 Keys	46	46	92	Brass/Nickel	BOX	1
DCE22	Elite 1™ Double Euro Cylinder, 3 Keys	46	51	97	Brass/Nickel	BOX	1
DCE23	Elite 1™ Double Euro Cylinder, 3 Keys	46	56	102	Brass/Nickel	BOX	1
DCE24	Elite 1™ Double Euro Cylinder, 3 Keys	46	61	107	Brass/Nickel	BOX	1
DCE25	Elite 1™ Double Euro Cylinder, 3 Keys	51	51	102	Brass/Nickel	BOX	1
DCE26	Elite 1™ Double Euro Cylinder, 3 Keys	51	61	112	Brass/Nickel	BOX	1
DCE27	Elite 1™ Double Euro Cylinder, 3 Keys	56	56	112	Brass/Nickel	BOX	1

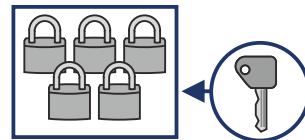
Keyed alike and master keyed services

With our latest software we can provide you with a customised master key system designed and built in our cylinder department to suit your individual needs.

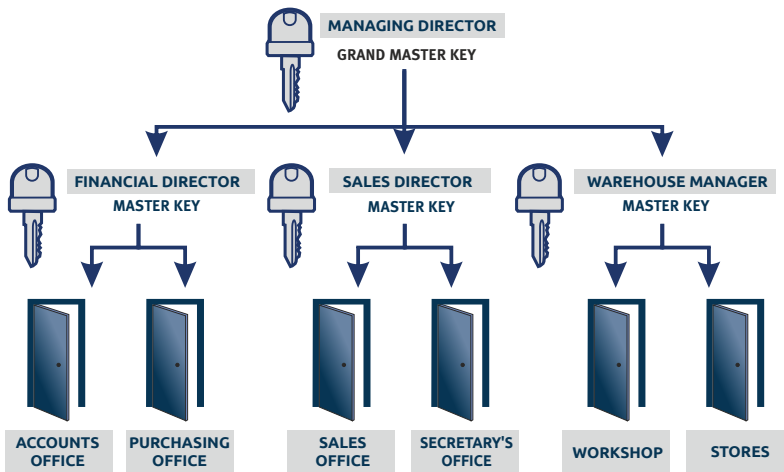
Our trained staff will help guide you through your project whether large or small and provide you with your very own master key system.

Master Keyed - cylinders and padlocks keyed so that each is different yet a Master Key will open them all. A Master Keying surcharge is applicable.

Keyed Alike - Where two or more cylinders or padlocks can be operated with the same key. For 4 pin tumbler padlocks there are over 1000 different Keyed Alike combinations, for 5 pin padlocks there are over 1500 and for 6 pin cylinders and padlocks there are over 250,000 differed Keyed Alike combinations.



Keyed Alike System



Master Key System

Key chart

SQUIRE				Cyl Pos	01	02	03	04	05	06	07	08	09	10
		Cylinder Name	Front Door	Office	Office	Office	Office	Office	Store	Warehouse	Sales	Kitchen	Rear Door	
Customer:	A.N.Other			Cylinder Marking	DA1	DA2	DA3	DA4	DA5	DB1	DB2	DB3	DB4	DB5
End user:	Shark Design			Locksmith contact No:										
Locksmith name:	Squire			Cyl Qty	1	1	1	1	1	1	1	1	1	1
End user contact No:				Cyl Fin	NI	NI	NI	NI	NI	NI	NI	NI	NI	NI
End user signature:				Cyl Type 1	DC10	DC10	DC10	DC10	DC10	DC10	DC10	DC10	DC10	DC10
Project:	New offices													
Level of Security:	Squire Restricted													
Date:	Signature:													
Key Pos	Key name	Marking	Key Qty											
01	Grand Master	GMK			o	o	o	o	o	o	o	o	o	o
02	Master	MKA			o	o	o	o	o					
03	Master	MKA								o	o	o	o	o
04	Differ	DA1			o									
05	Differ	DA2				o								
06	Differ	DA3					o							
07	Differ	DA4						o						
08	Differ	DA5							o					
09	Differ	DB1								o				
10	Differ	DB2									o			
11	Differ	DB3										o		
12	Differ	DB4											o	
13	Differ	DB5												o

NW4 New Wave - **Stronghold**® KIK Cylinder Extra high security

A new cylinder that takes advantage of the latest manufacturing techniques. The New Wave NW4 cylinder has a complex anti-drill construction and also offers protection from bumping, drilling and picking.

- Reversible key 10 pins plus 4 wave technique
- Over 20 Million key differs
- Ideal for small and large master key systems
- 3 Keys with code number and key code registration card
- Patented until 2027, only on presentation of key code card will replacement keys be issued
- Anti plug extract
- Plating: Brass/Nickel
- NW4 system, including 4 types of decoding elements: a roller in the key - basic active row of pins; side row of pins; a wave channel in the key
- Anti-bumping and anti-drilling protection
- Ergonomic plastic keybow

The NW4 Cylinder is available as a KIK Cylinder that fits Squires **Stronghold**® padlocks from stock.



Over 2 Million
Key Differs





Anti Plug Extract



Anti Bump



Anti Pick



Anti Drill



10 Year Personal Guarantee

Stronghold® EM Range of padlocks. Designed to accept a standard Europrofile cylinder

For easy and secure fitment of any modified 71mm double Europrofile cylinder into a 'CEN' rated Stronghold 50mm padlock.

New Stronghold EM module benefits:

- No need to drill into modified Europrofile cylinder
- Easy and quick to fit modified Europrofile cylinder into padlock
- Extra anti drill protection
- Can use same modified cylinder in SS50EM, SS50CEM, SS65E, SS65CE Stronghold® padlocks
- CEN Rated padlock range
- Padlocks come in 65mm and 50mm body widths and open and closed shackle versions
- Easily create keyed alike and master keyed suites



CEN approved Grades 3-6



Independent crime-fighting charity

Secured by Design



Police Preferred Specification



Pinning kit available - 5 pin and 6 pin versions

5 Easy steps to modify Europrofile cylinder into a padlock



1
71mm double Europrofile cylinder

2
Modify Europrofile Cylinder in Jig

3
Modified cylinder

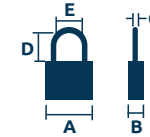
4
Easy fit into module

5
Easy fit into Stronghold SS50EM padlock

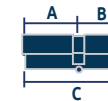
Cylinders for padlocks



Solid Steel - Euro Versions - body only - accepts modified half Euro



Code	CEN	Security Rating	@	Description	Dimensions mm					Barcode	Key Blank	Pack Type	Min Qty
					A	B	C	D	E				
SS65E	CEN 5	10	@WORK	65mm Euro Body O/S - Accepts 1/2 modified 71 Double Euro	65	31.8	12.7	29	29.5	5012245008494	n/a	BOX	1
SS50EM	CEN 4	9	@WORK	50mm Euro Body O/S - Accepts 1/2 modified 71 Double Euro	50	26	10	26	22	5012245008739	n/a	BOX	1
SS50EM L.SMITH	CEN 3	8	@WORK	50mm Unhardened Body - Accepts 1/2 modified 71 Double Euro	50	26	10	26	22	5012245008777	n/a	BOX	1
SS65CE	CEN 6	10	@WORK	65mm Euro Body C/S - Accepts 1/2 modified 71 Euro Double	65	31.8	12.7	19	19	5012245005073	n/a	BOX	1
SS50CEM	CEN 4	9	@WORK	50mm Euro Body C/S - Accepts 1/2 modified 71 Euro Double	50	26	10	16	16	5012245008746	n/a	BOX	1
SS65E/2.5	CEN 5	10	@WORK	65mm Euro Body 2.5" L/S - Accepts 1/2 modified 71 Euro Double	65	31.8	12.7	65	29.5	Special	n/a	BOX	1
SS50EM/2.5	CEN 4	9	@WORK	50mm Euro Body 2.5" L/S - Accepts 1/2 modified 71 Euro Double	50	26	10	65	22	5012245008753	n/a	BOX	1



Padlock cylinders



Code	Description	Dimensions mm			Barcode	Key Blank	Pack Type	Min Qty
		A	B	C				
CYUNIT/KS6/S1/SD	Cylinder unit Squire 6 pin open 'S' section with 'S' key, anti bump	16	24	34	Special	CYKEY/S1/BL	BOX	1
CYUNIT/KS5/P5/SD	Cylinder unit Squire P5 (5 pin)	16	24	34	Special	KB LN C SL	BOX	1
CYUNIT/KS6/R1/SD	Cylinder unit Squire 6 pin restricted section	16	24	34	Special	CYKEY/R1/BL	BOX	1
CYUNIT/KS6/S1/KA	KA Cylinder Unit Squire 6 pin open 'S' section with 'S' key, anti bump	16	24	34	Special	CYKEY/S1/BL	BOX	1
CYUNIT/KS5/P5/KA	KA Cylinder Unit Squire P5 (5 pin)	16	24	34	Special	KB LN C SL	BOX	1
CYUNIT/KS6/R1/KA	KA Cylinder Unit Squire 6 pin restricted section	16	24	34	Special	CYKEY/R1/BL	BOX	1

New box packaging



www.squirelocks.co.uk

Henry Squire & Sons Limited, Hilton Cross Business Park, Cannock Road, Featherstone, Wolverhampton, WV10 7QZ

Tel: 01902 308050 Fax: 01902 308051 E-Mail: info@henry-squire.co.uk



Independent crime-fighting charity